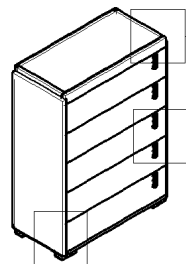


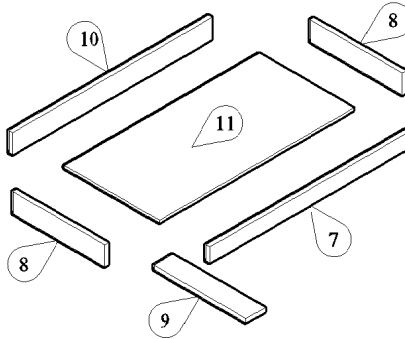
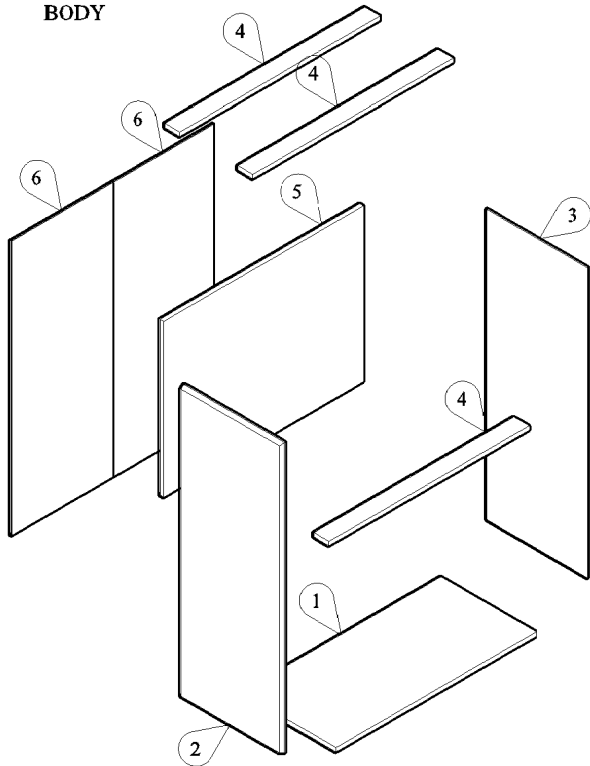
MODEL : BR3 COD 306BVWI

PANEL POSITION

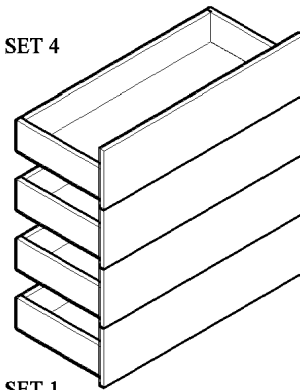


BOXES

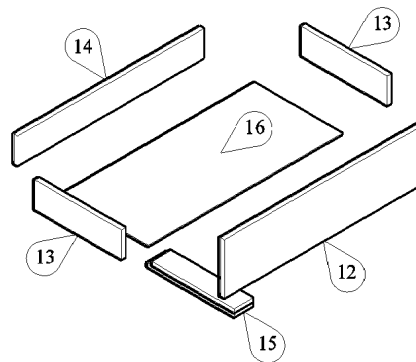
BODY






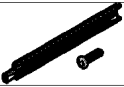


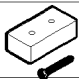





DRAWER SET 4



DRAWER SET 1



	ACCESSORIES	QUANTITY
A	 MINIFIX M5 x 24MM	30 PCS
B	 MINIFIX CASING	30 PCS
C	 WOOD DOWEL M8 x 30MM	52 PCS
D	 SCREW M4 x 38MM	20 PCS
E	 SCREW M4 x 28MM	4 PCS
F	 BALL BEARING (BLACK) SCREW M3.5 x 12MM	5 SETS 60 PCS
G	 PVC H RAIL	1 PC
H	 PVC HANDLE SCREW M4 x 28MM	5 PCS 10 PCS
I	 PVC LEG SCREW M4 x 38MM	4 PCS 8 PCS
J	 POWER PIN	20 PCS
K	 ALLEN KEY	1 PC
L	 SCREW M4 x 25MM	10 PCS



CHEMICAL



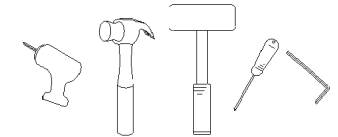
HANDLE WITH CARE



KEEP DRY

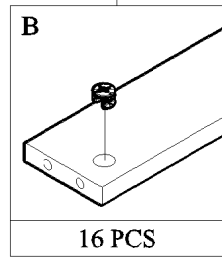
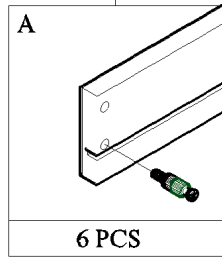
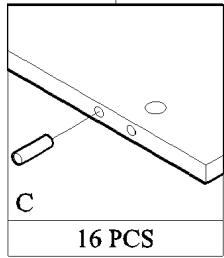
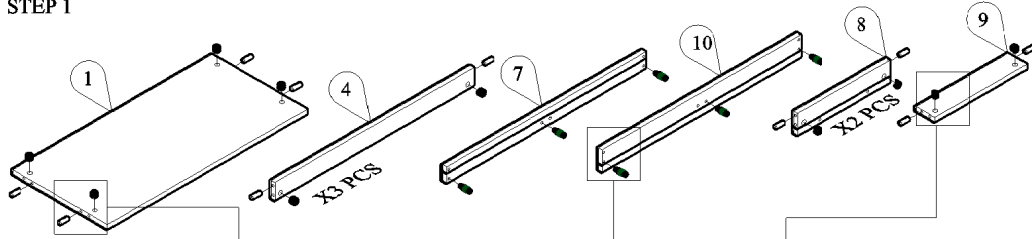


HARD SURFACE

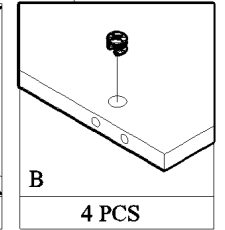
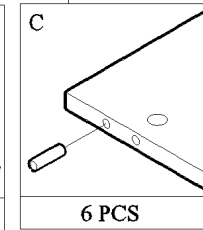
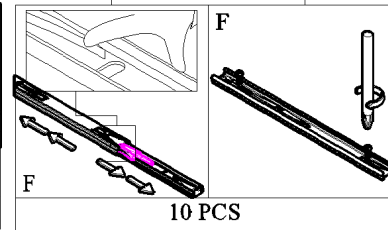
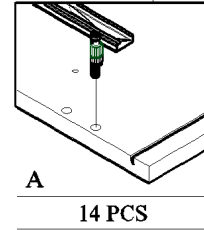
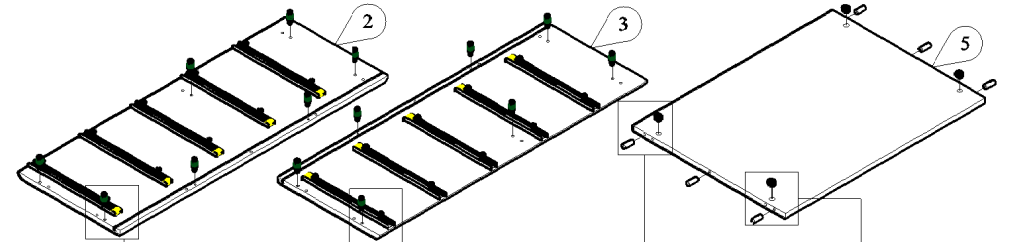


START ASSEMBLY

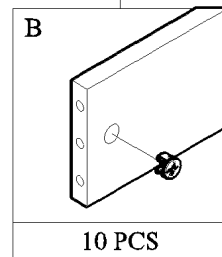
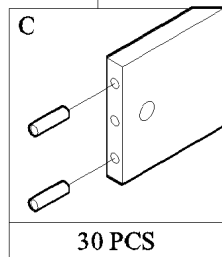
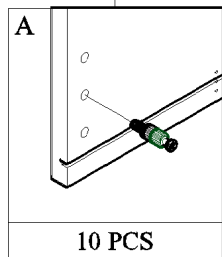
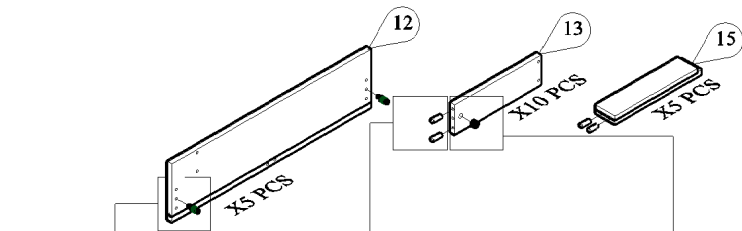
STEP 1



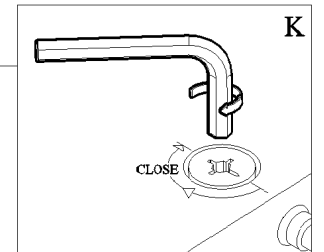
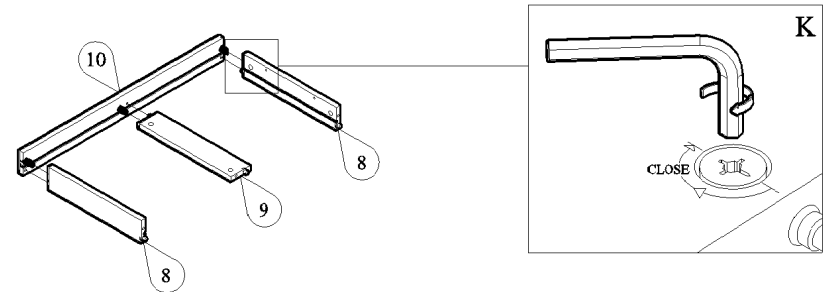
STEP 2



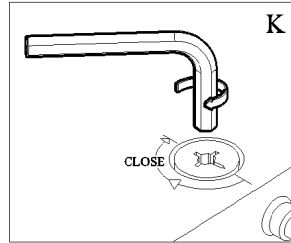
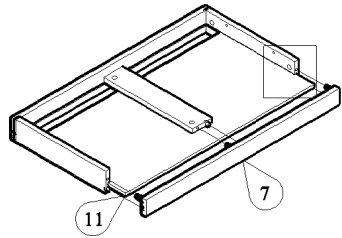
STEP 3



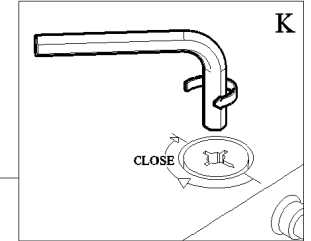
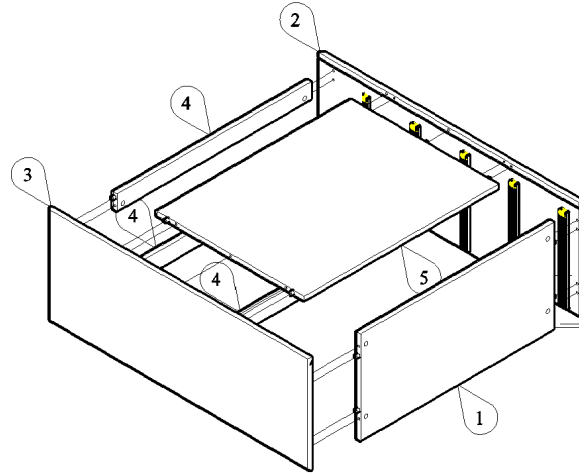
STEP 4 (BOX)



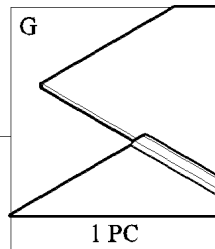
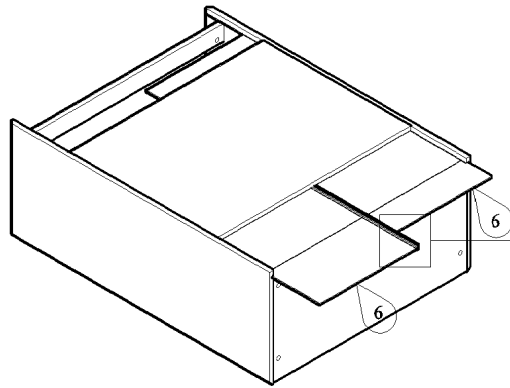
STEP 5 (BOX)



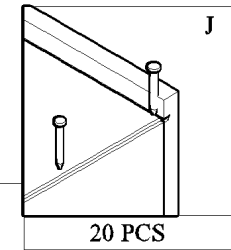
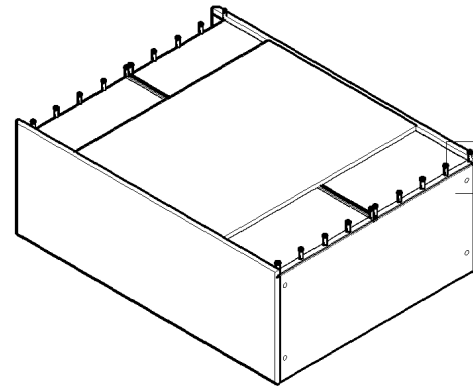
STEP 6



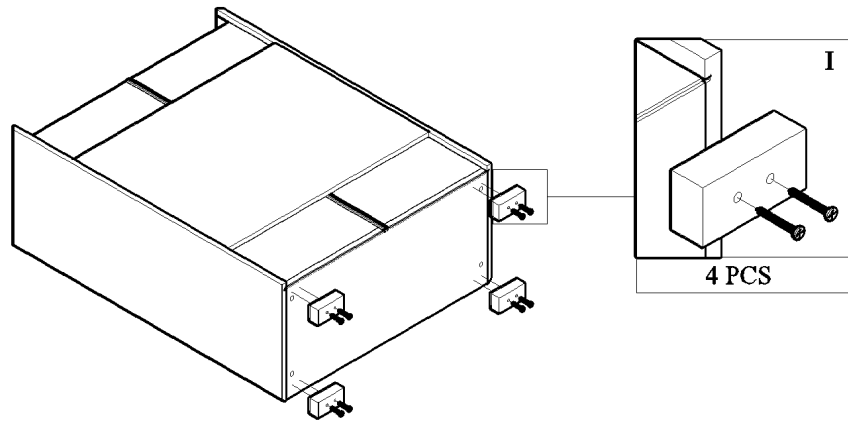
STEP 7



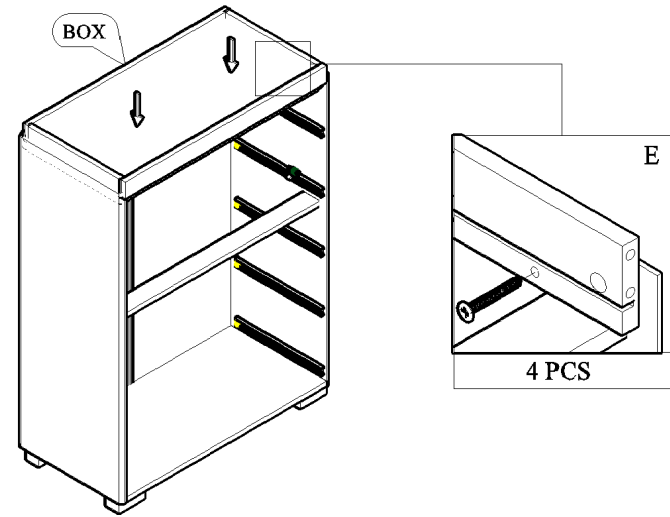
STEP 8



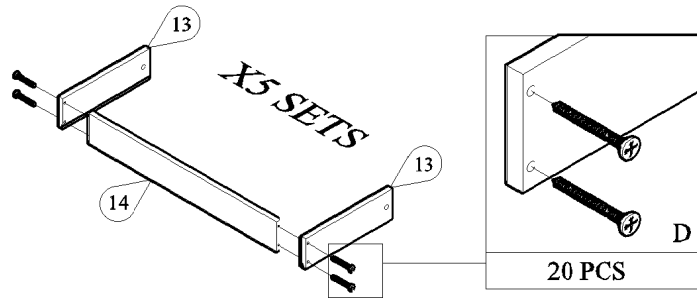
STEP 9



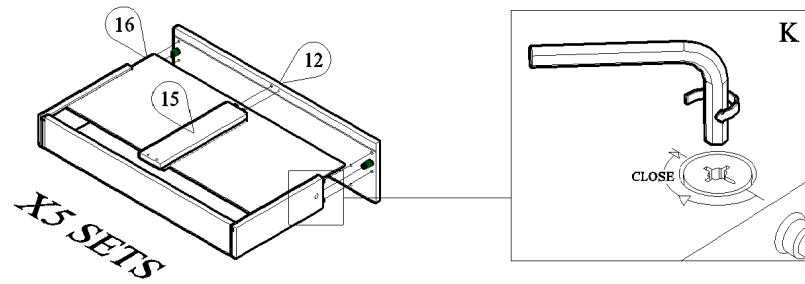
STEP 10



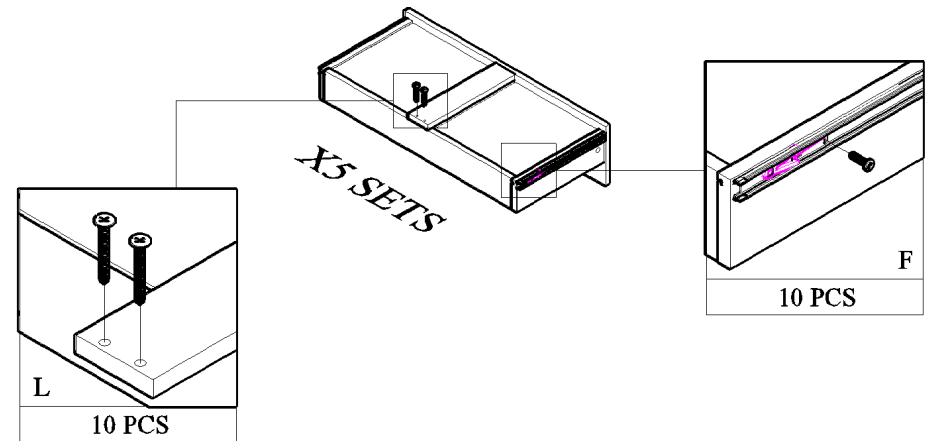
STEP 11



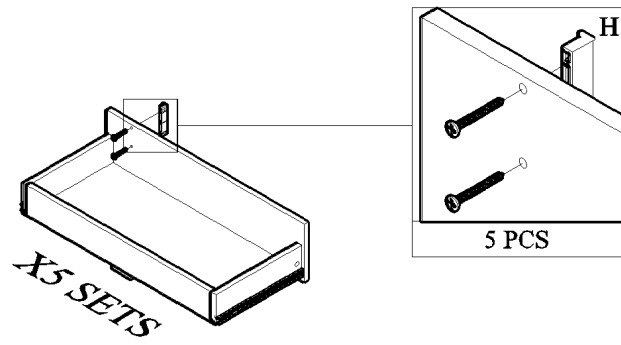
STEP 12



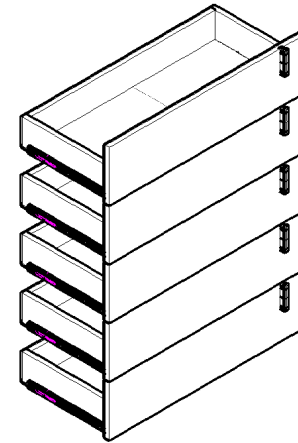
STEP 13



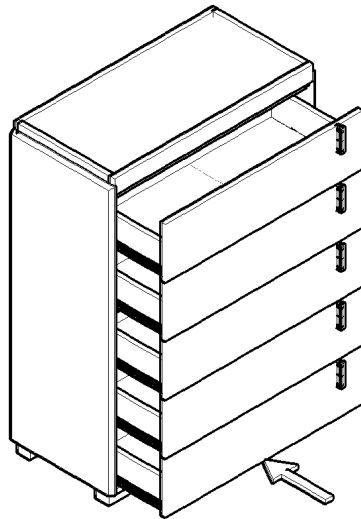
STEP 14



DRAWER COMPLETED



STEP 15



COMPLETED

